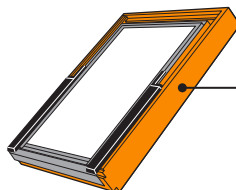
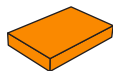
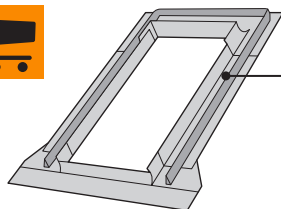


Roof windows for **smart professionals**

KAV B9xx
KPV B9xx
KAV B10xx
KPV B10xx
KAV B33xx
KPV B33xx



KTF, KSF,
KUF, UCX,
KFF, KFP,
UBX, SCX,
KLS, KSS



RUC

KAV B9xx
KPV B9xx



KAV B10xx
KPV B10xx



KAV B30xx
KPV B30xx



IFC

KAV B900
KPV B900



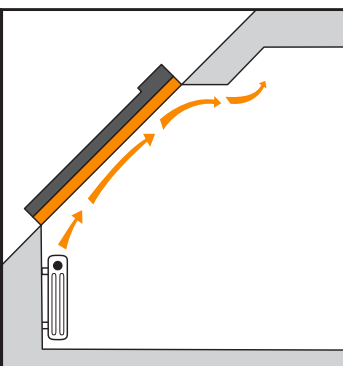
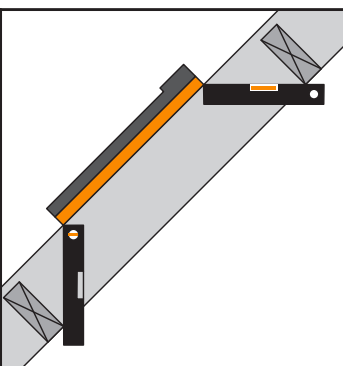
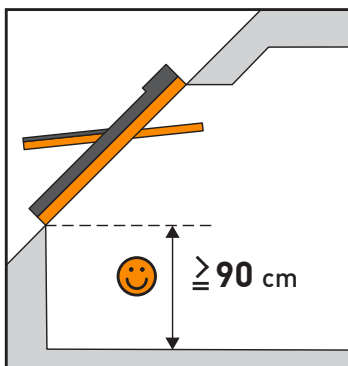
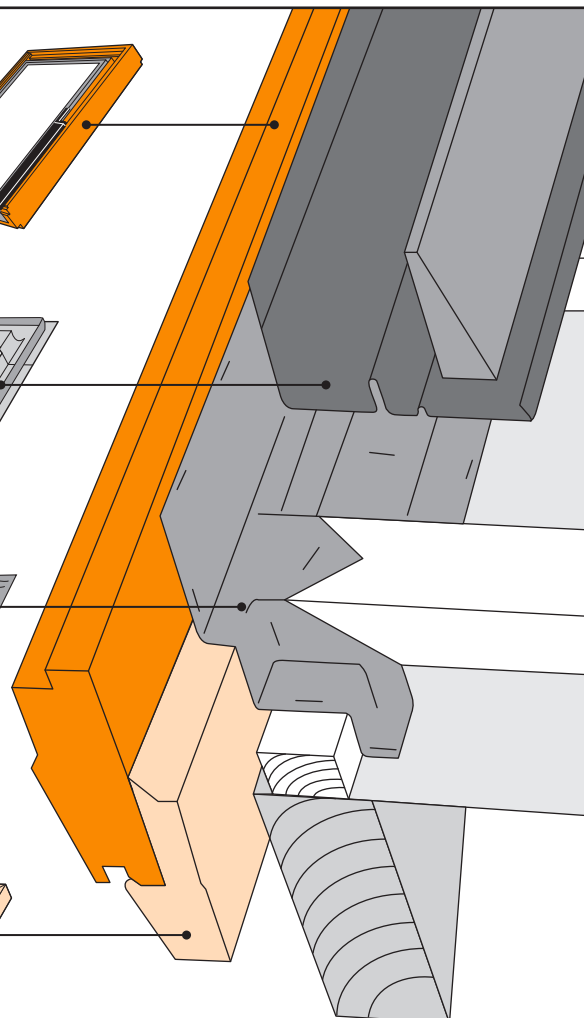
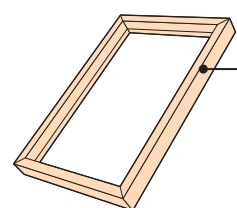
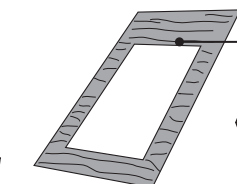
KAV B1000
KPV B1000



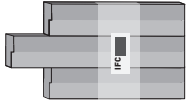
KAV B3300
KPV B3300



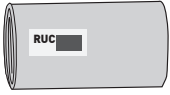
KAV BxxH
KPV BxxH



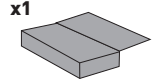
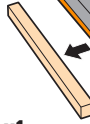
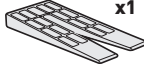
01



IFC x1
KAV BxxH
KPV BxxH



RUC x1
KAV B10xx
KPV B10xx



x18: C2A, C4A, F4A, F6A, M4A, M6A
x27: M8A, M10A, P6A, S6A, U4A
x36: P8A, S8A, U8A



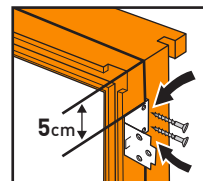
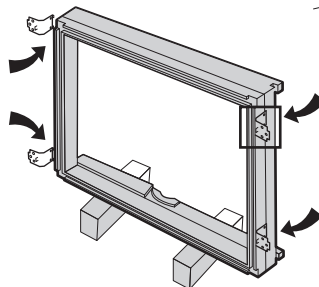
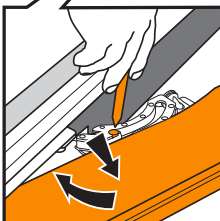
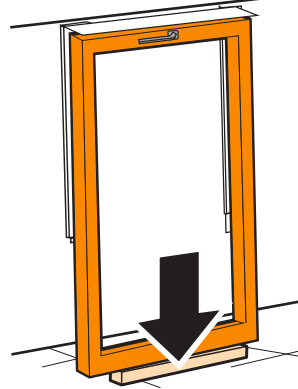
x4: C2A, C4A, F4A, F6A, M4A, M6A
x5: P6A, S6A, U4A
x6: M8A, M10A
x7: P8A, S8A, U8A



x18: C2A, C4A, F4A, F6A, M4A, M6A, M8A, M10A, P6A, S6A, U4A

x10: C2A, C4A, F6A, M4A, M6A
x12: S6A, P6A, U4A
x14: M8A, M10A

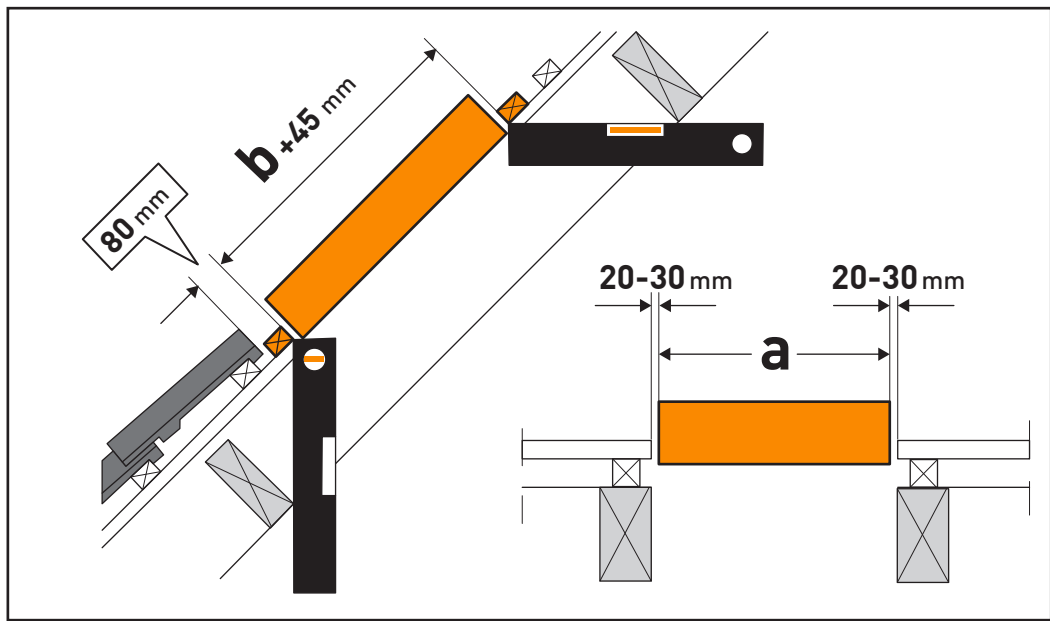
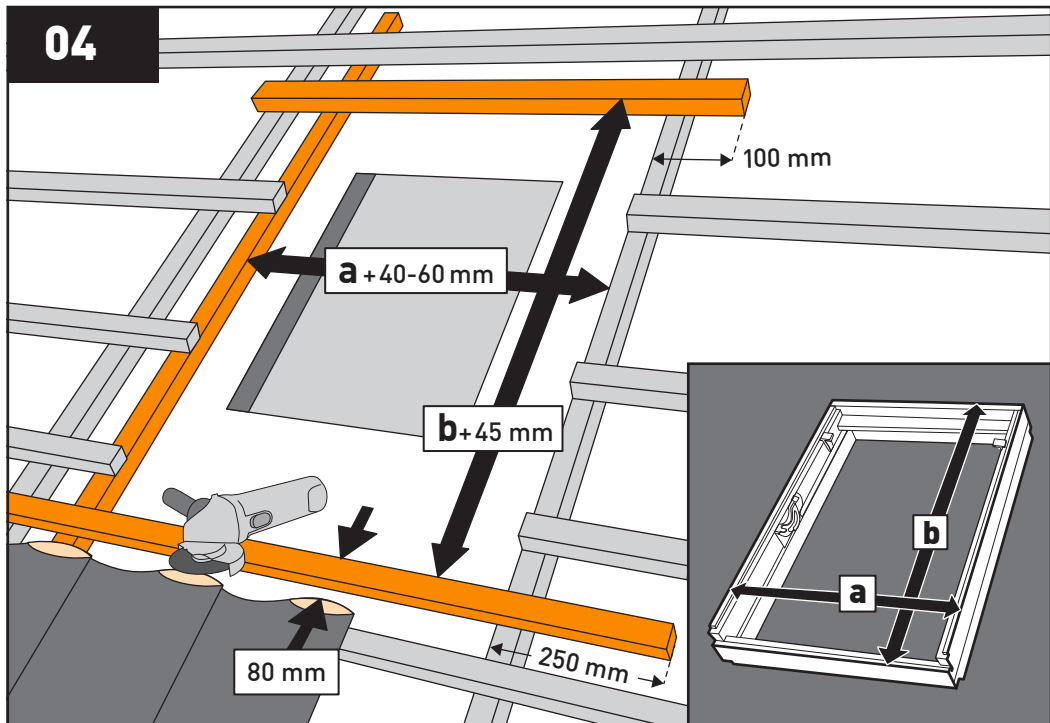
02



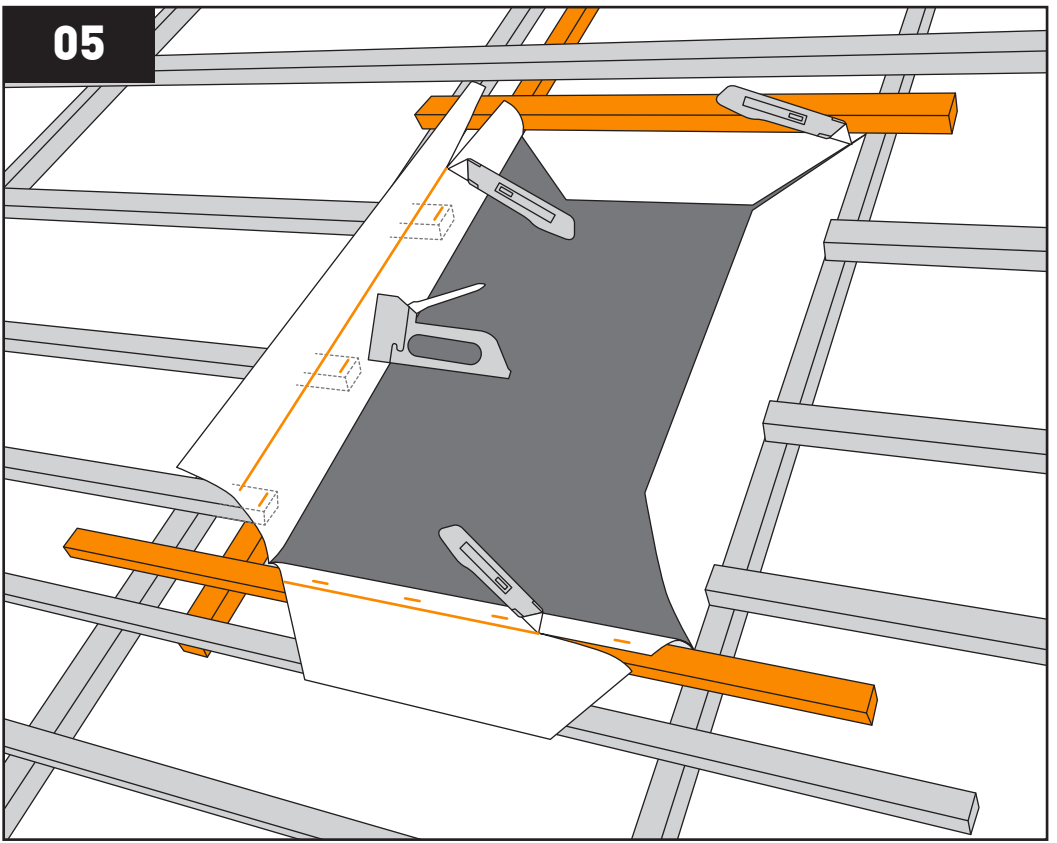


KTF, KUF

04

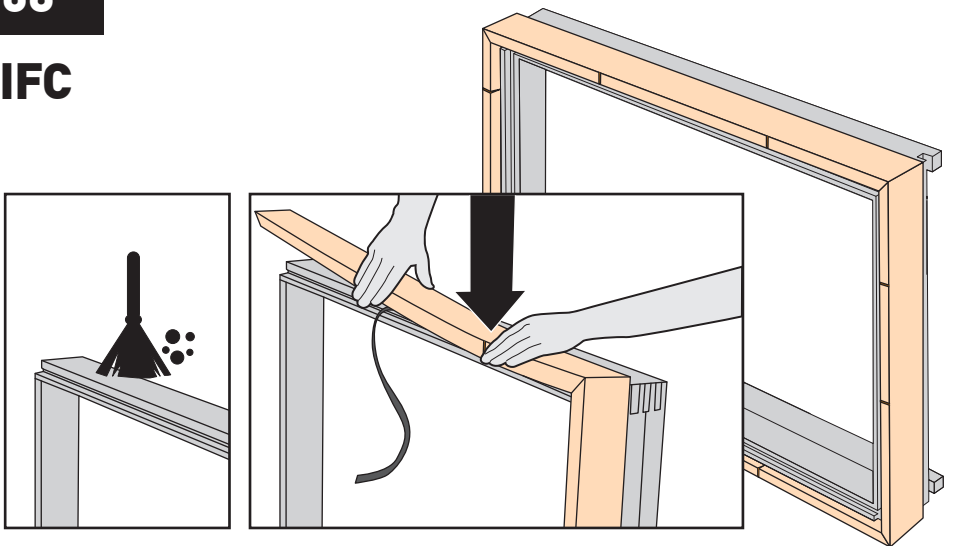


05



06

IFC

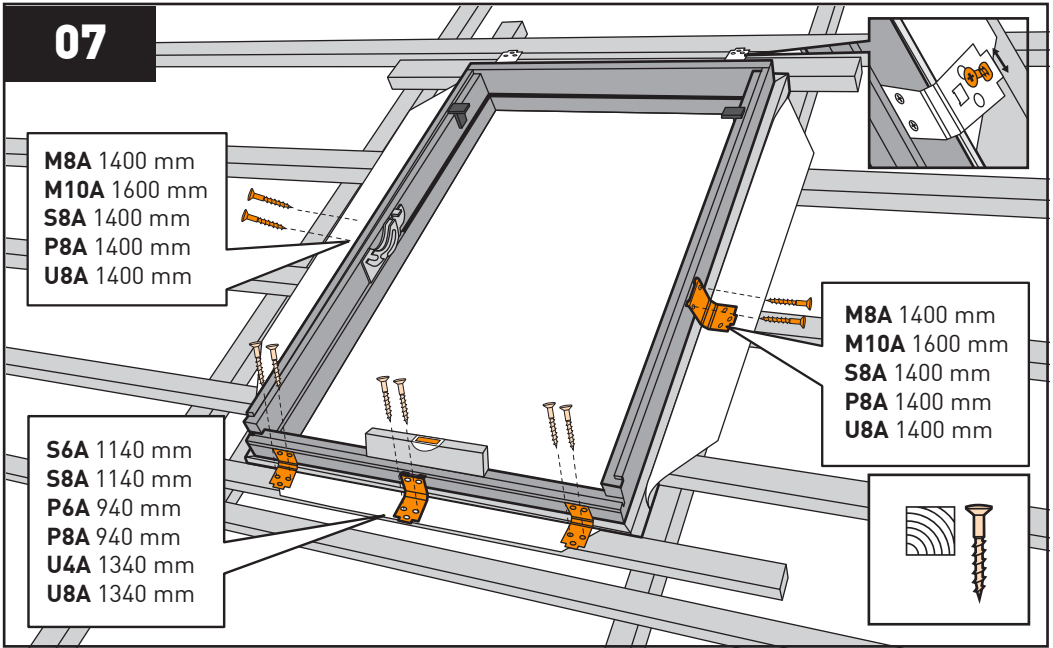


07

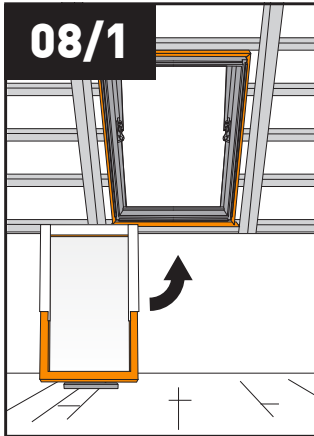
M8A 1400 mm
M10A 1600 mm
S8A 1400 mm
P8A 1400 mm
U8A 1400 mm

S6A 1140 mm
S8A 1140 mm
P6A 940 mm
P8A 940 mm
U4A 1340 mm
U8A 1340 mm

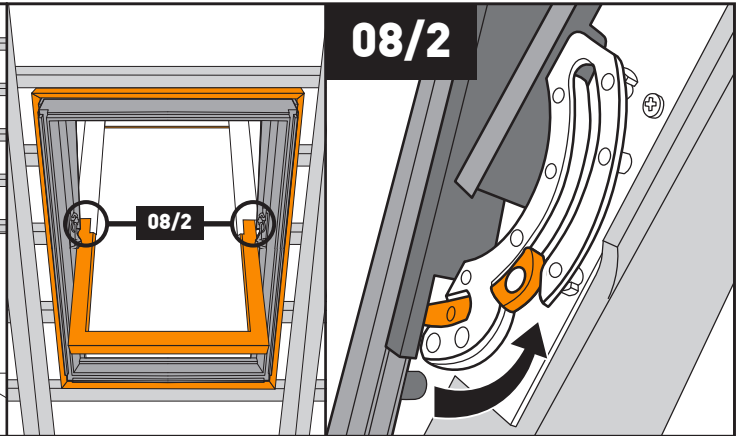
M8A 1400 mm
M10A 1600 mm
S8A 1400 mm
P8A 1400 mm
U8A 1400 mm



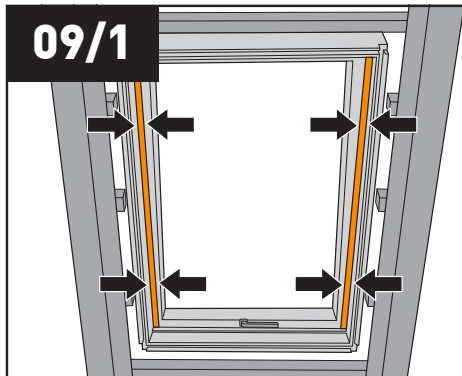
08/1



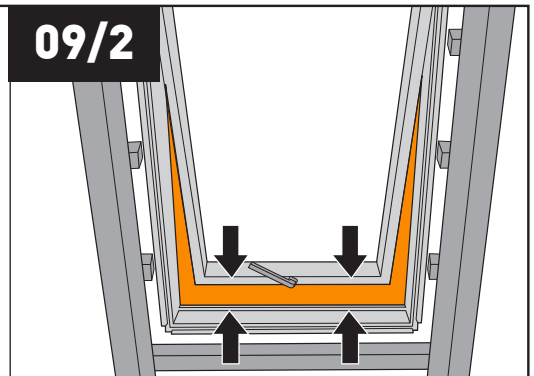
08/2



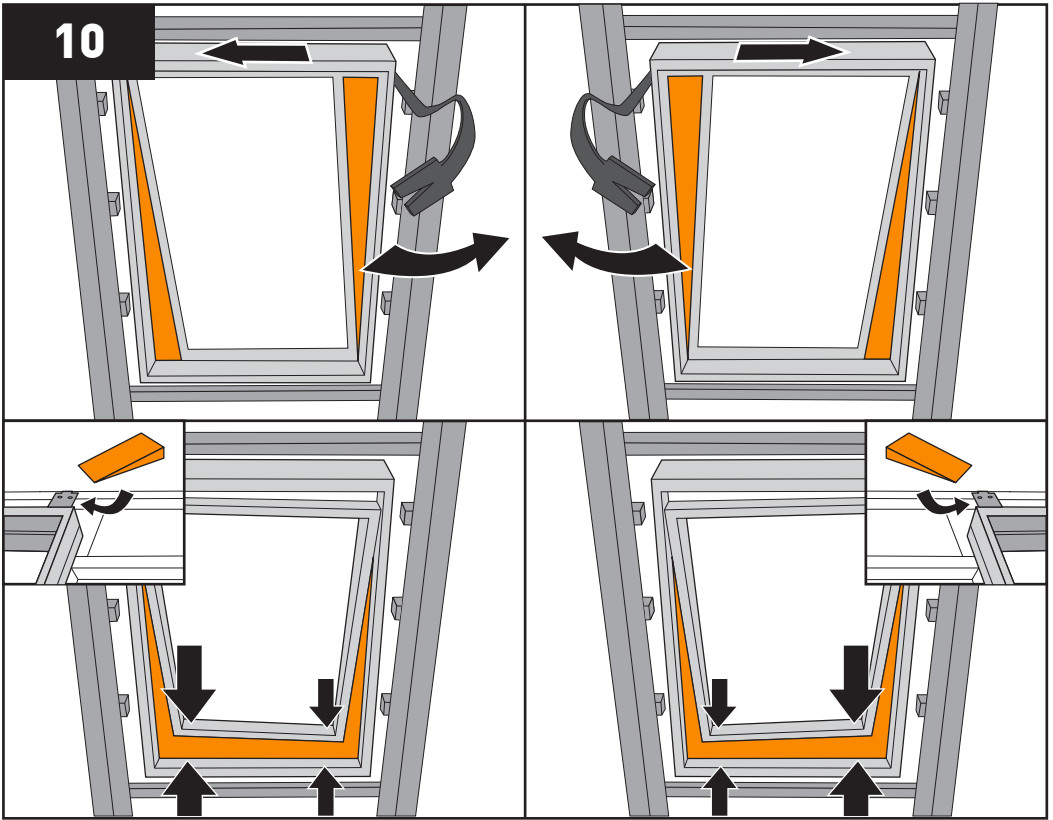
09/1



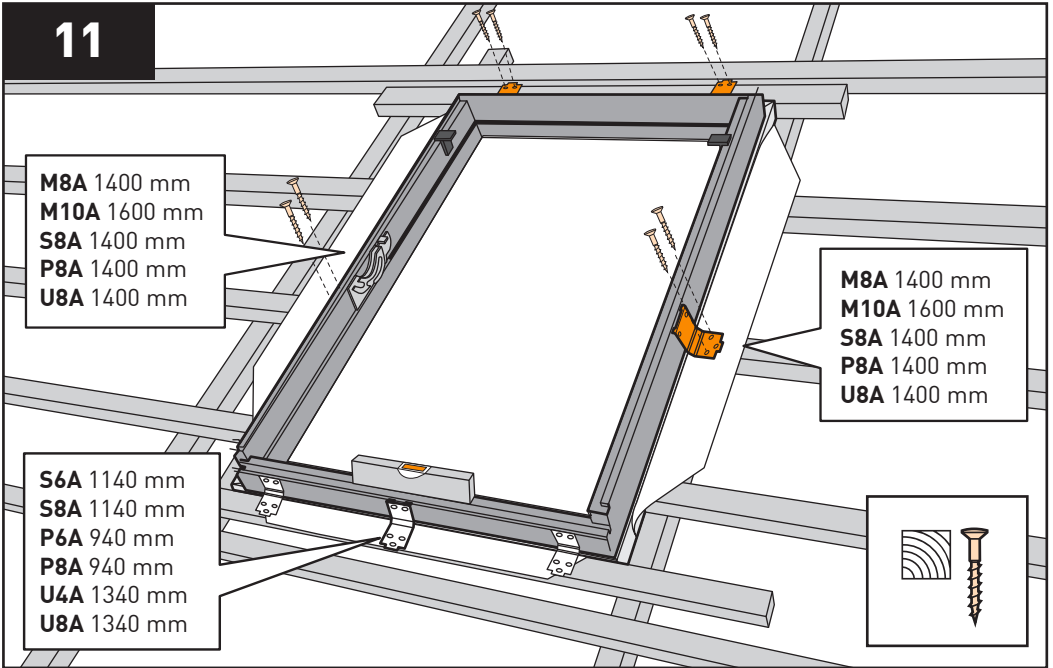
09/2



10

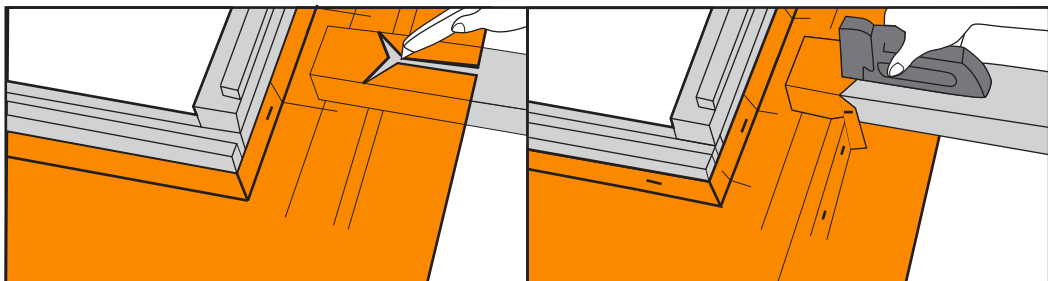
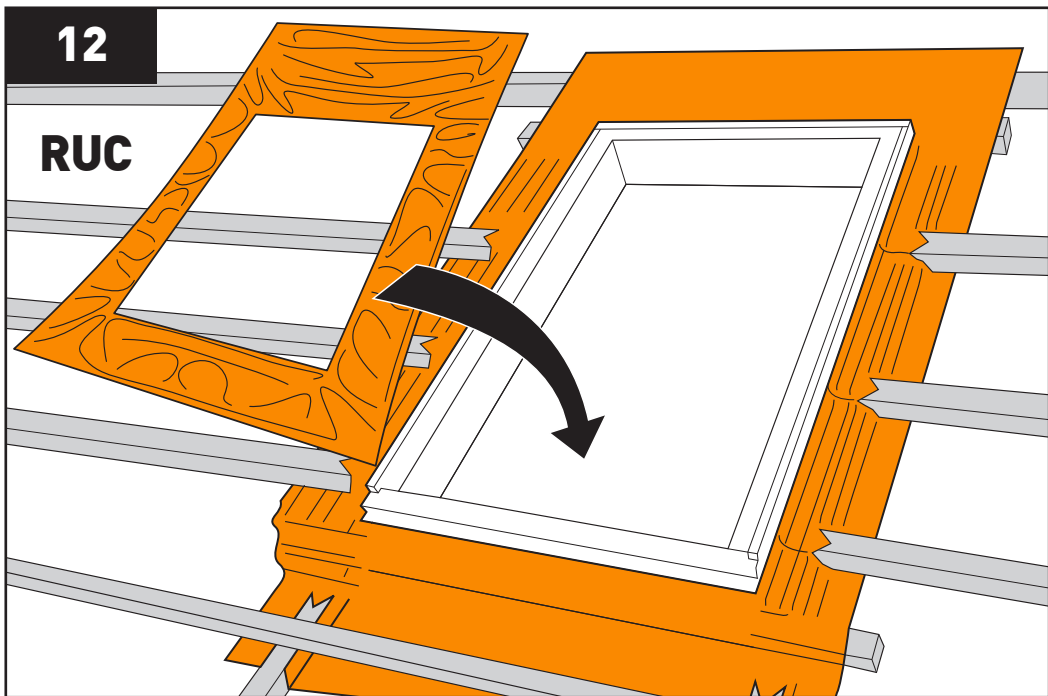


11

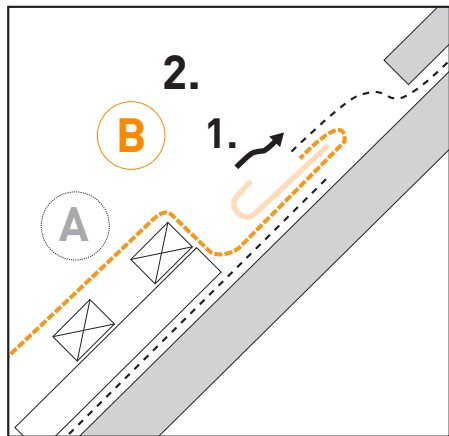
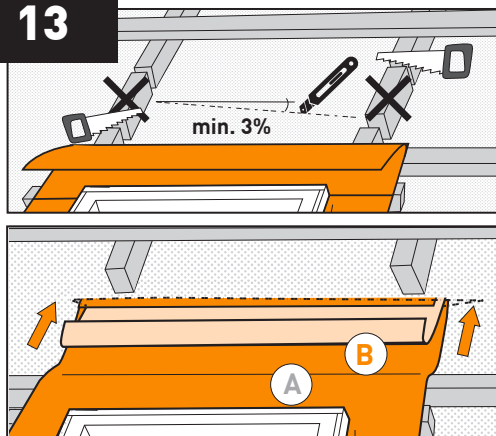


12

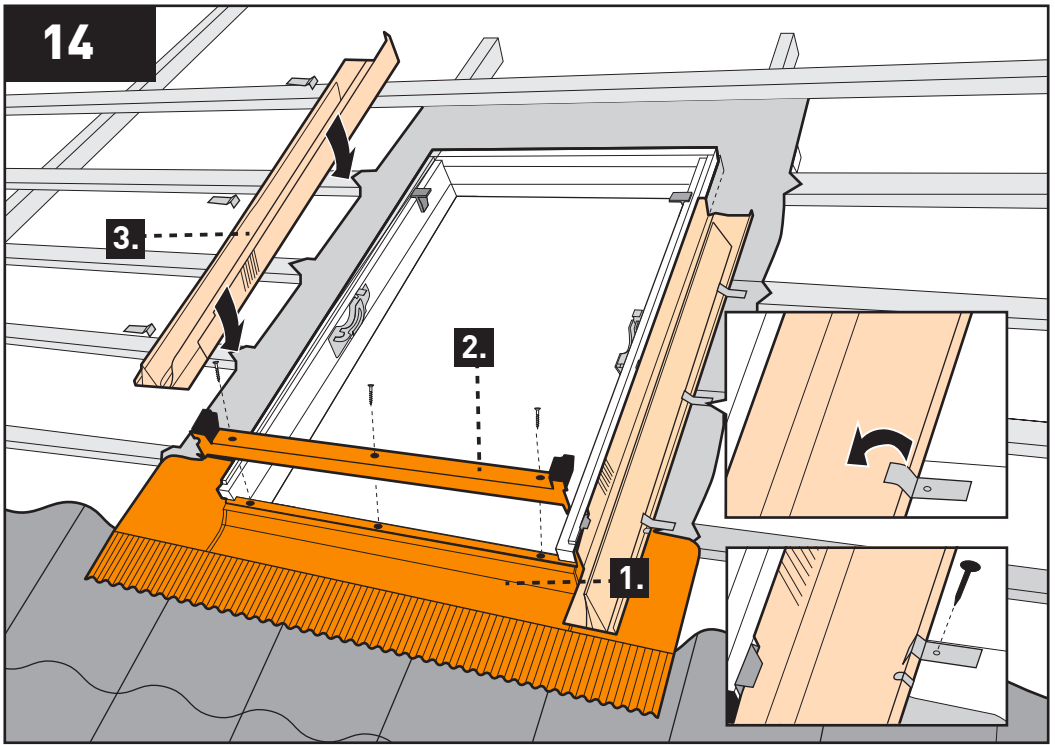
RUC



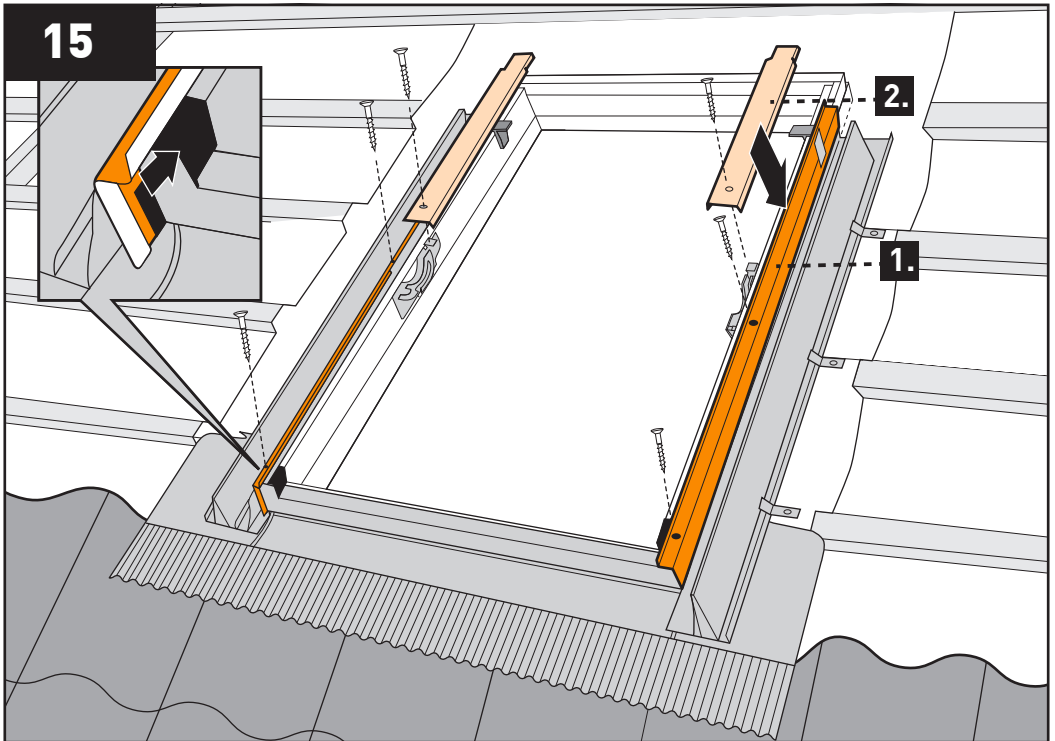
13



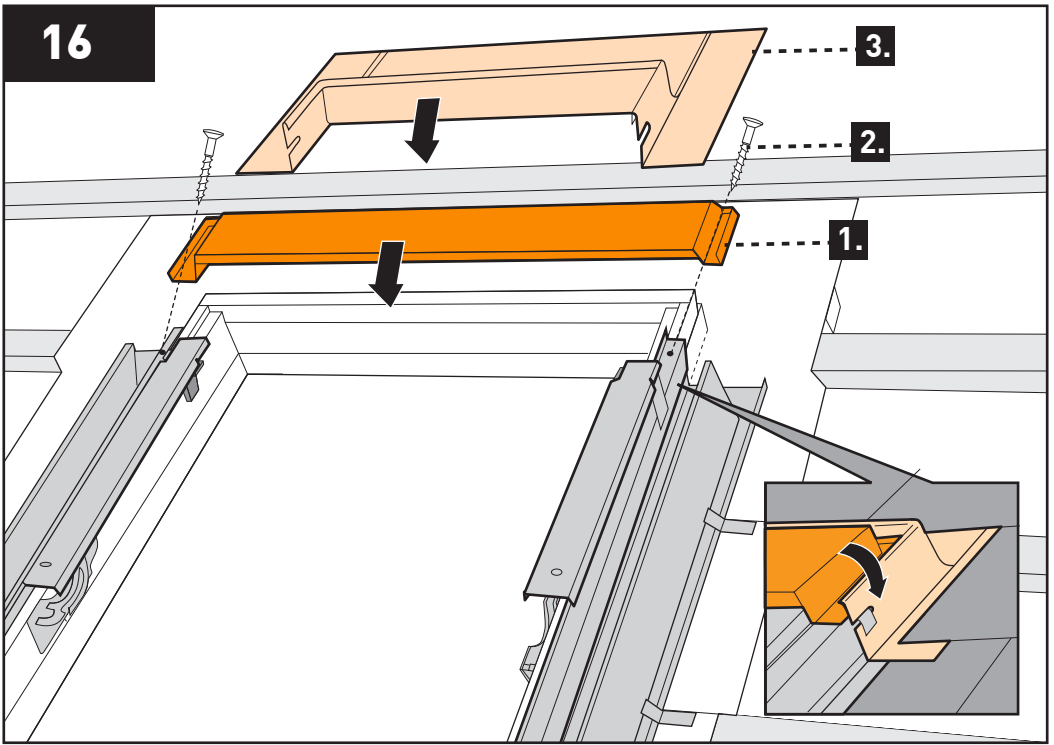
14



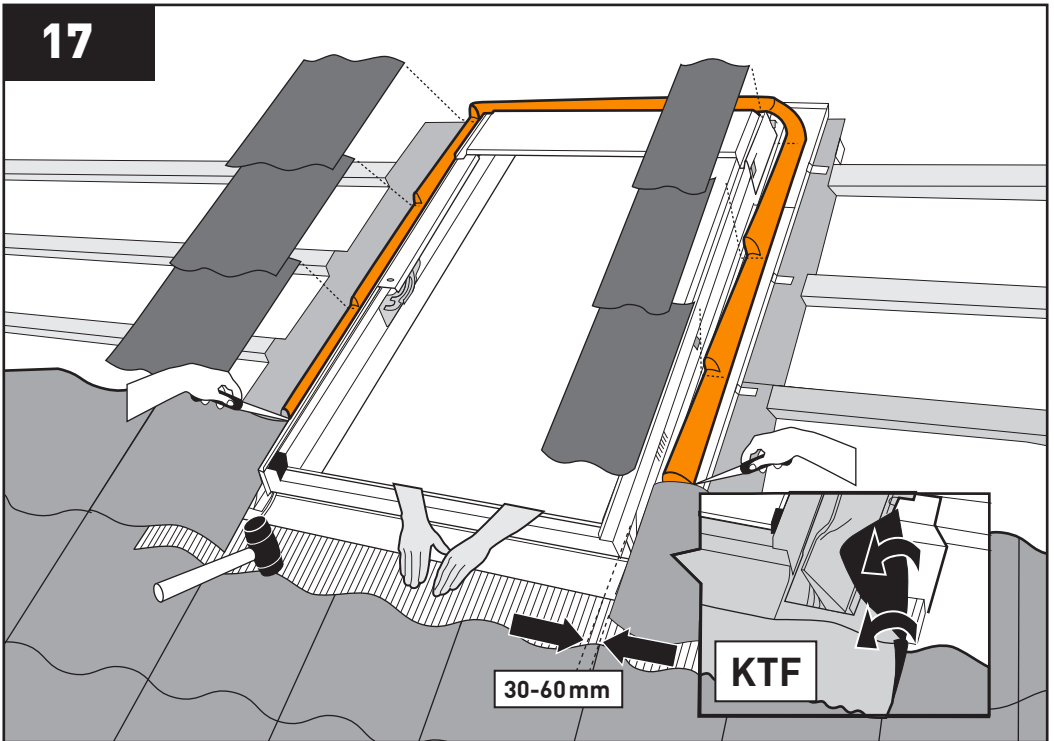
15



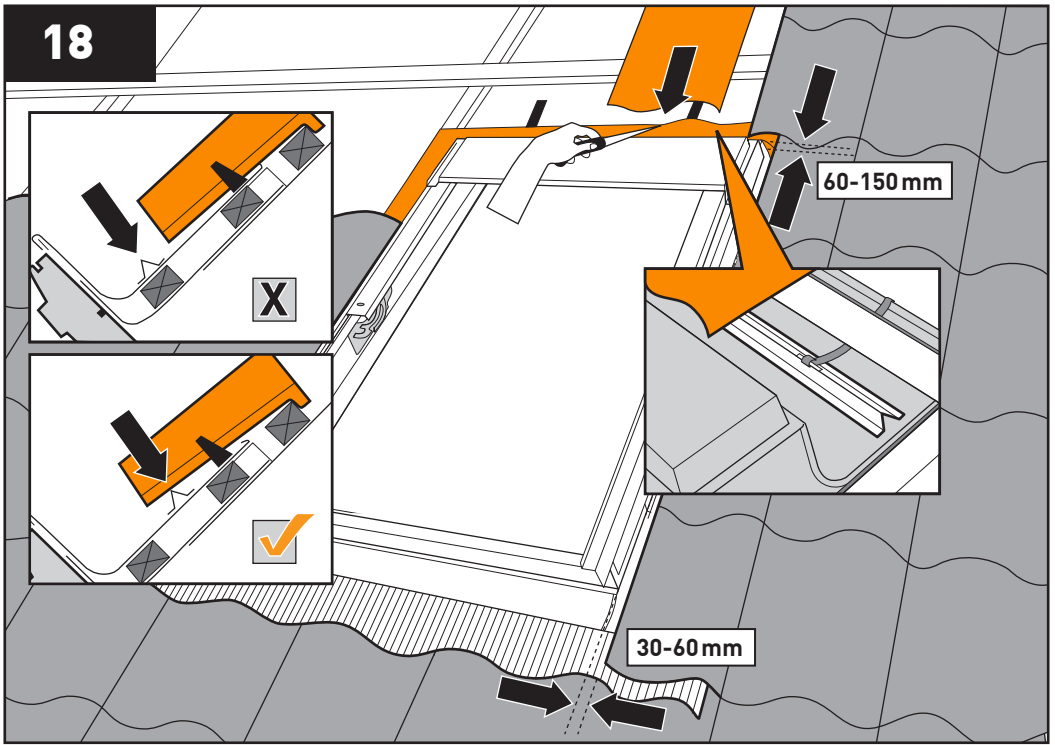
16



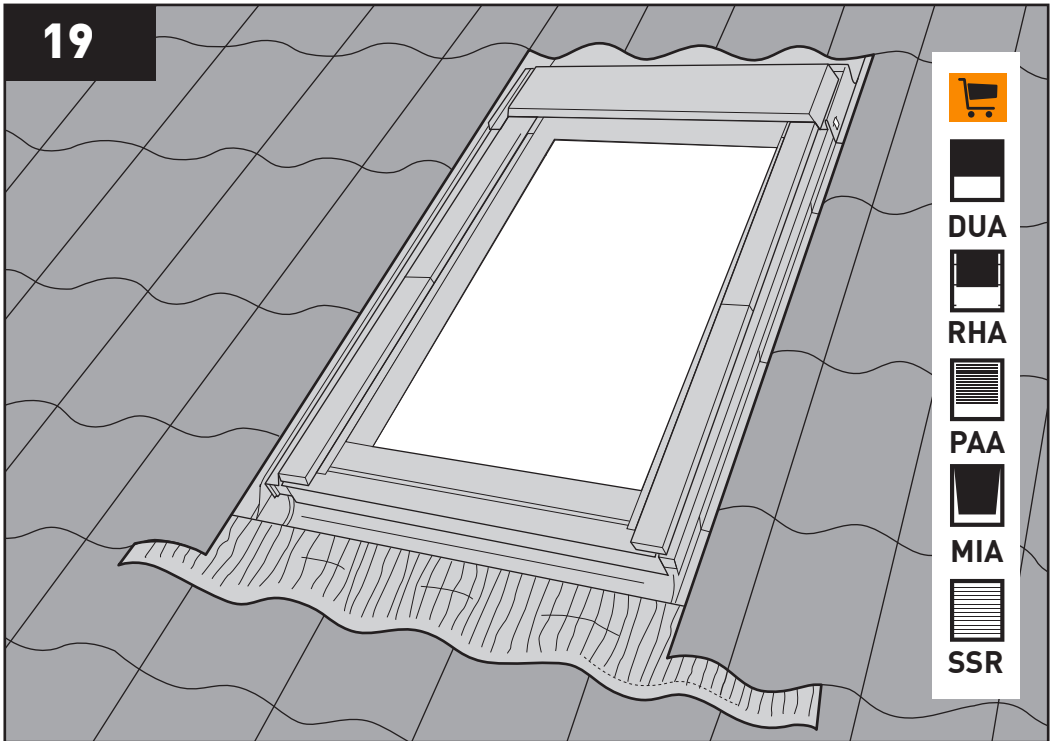
17



18



19





FCX 15-90°

KFF 20-90°

KFP 25-90°

KFT 15-90°

KLS 15-90°

KSF 15-90°

KSS 15*-90°

KTF 15-90°

KUF 15-90°

SCX 15-90°

SSC 15*-90°

UBX 15-90°

UCX 15-90°